

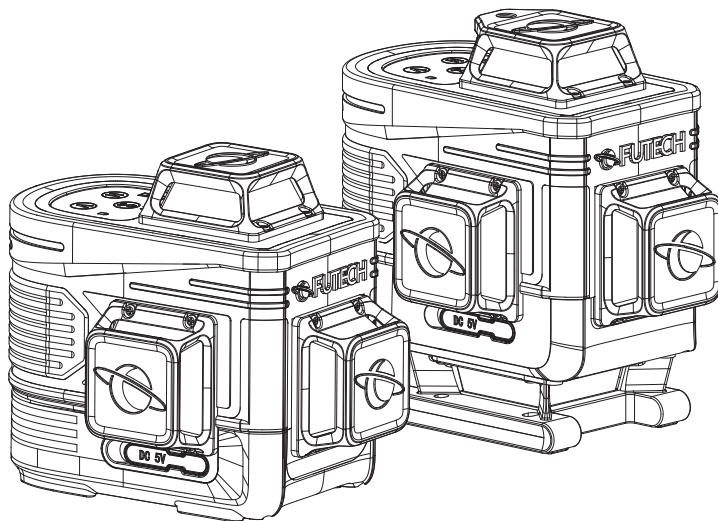
# USER MANUAL

035.3DR MULTICROSS 3D COMPACT RED  
035.3DG MULTICROSS 3D COMPACT GREEN  
035.4DG MULTICROSS 4D COMPACT GREEN

EN ENGLISH

Manual  
in your language?

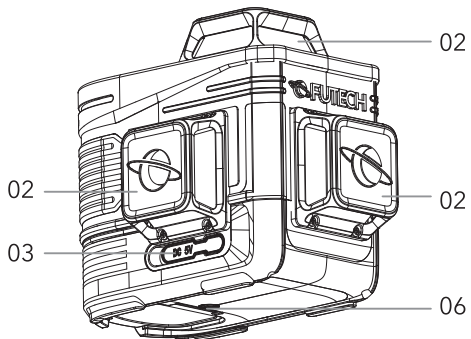
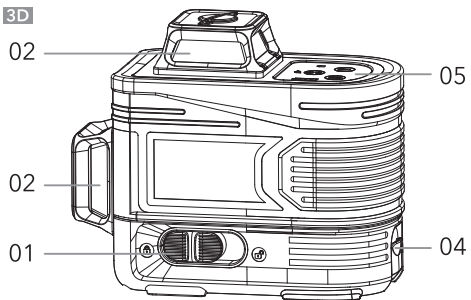
Check the back cover



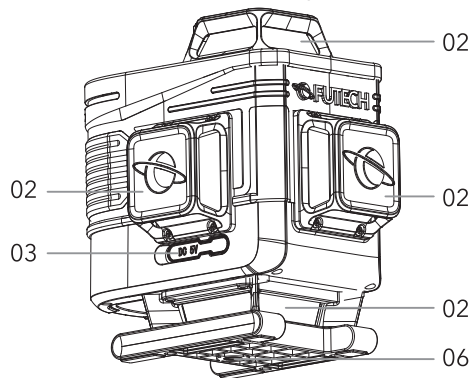
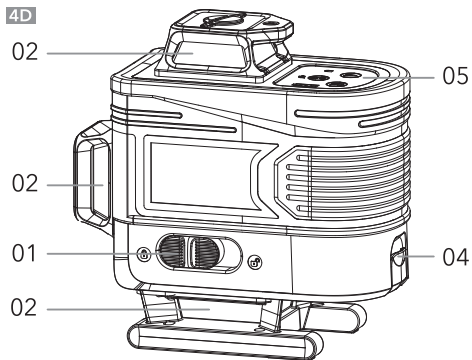
**FUTECH**  
futech-tools.com

## OVERVIEW

3D



4D

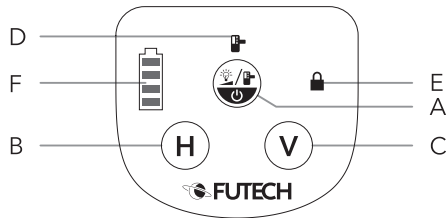


## ■ CASE

- 01 On/Off switch / Pendulum lock
- 02 Laser window
- 03 USB Type-C charging port
- 04 Battery cover
- 05 Keypad
- 06 1/4" thread mount

## ■ KEYPAD

- A Bright/Receiver mode button / Power button
- B Horizontal lines button
- C Vertical lines button
- D Receiver mode indicator
- E Pendulum lock indicator
- F Battery indicator



## SAFETY

Please read the safety instructions provided as separate booklet with the device.

**LASER RADIATION - Class 2 Laser product. - Do not stare into beam**

## BATTERY

The battery can be charged directly in the device by the USB Type-C charging port [03] using a USB type-C cable or with the battery charger.

Always use the charger or adapter provided by the manufacturer.

Please remove the battery and store it in a dry and room temperature environment if the laser is not used for a long period.

The best charging temperature is 0°C to 20°C. (32°F - 68°F).

The laser tool can be directly powered by a USB Type-C cable.

## FIRST TIME USAGE

- Remove any protective films where applied.
- Please fully load the LI-ION battery at least 8 hours before first use.
- Open the Battery cover [04] and place the LI-ION battery.

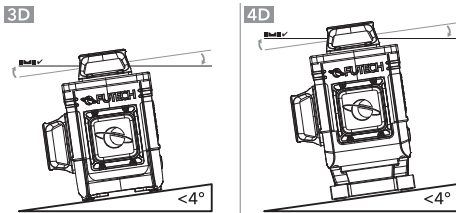
## USE

### ■ SELF LEVELLING MODE

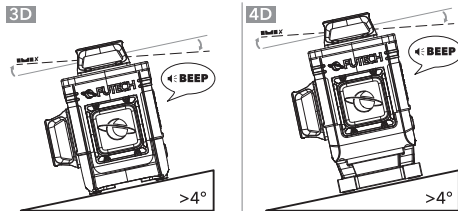


- Shift the Pendulum lock [04] to the "Unlock" position to unlock the pendulum and switch on the laser.

At this point the laser is able to level itself.



The device is capable of self-levelling within a range of approximately  $4^\circ$ . Ensure the instrument is not placed on a slope exceeding this limit.



Should the slope exceed  $4^\circ$ , the laser lines will either blink fast and the laser will start beeping.

- To switch off the laser, shift the Pendulum lock [04] to the "Lock" position.

Now the laser is switched off and the pendulum is locked again.

### ■ MANUAL SLOPE MODE

Using the Multicross 3D Compact/Multicross 4D Compact, slopes can be set using the manual slope mode.

This means the laser lines will be projected with the pendulum locked. This gives you the opportunity to project sloped lines under the angle you need.





- Make sure the Pendulum lock [04] is in the "Lock" position.
- Switch on the laser by holding the Power button [A] for approx. 3 seconds.

The laser lines switch on with the pendulum locked.

Now, the laser line can be set to the desired slope by positioning the device accordingly.

#### NOTE

The laser lines are not levelled using the manual slope mode! To remind you, the laser line will blink shortly every 10 seconds.

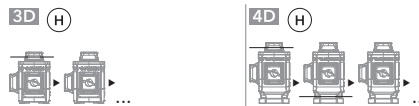
- To turn off the laser in manual slope mode, hold the Power button [A] again for 3 seconds or shift the Pendulum lock [04] to the "unlock" position and back to the "lock" position.

#### GOOD TO KNOW

In manual slope mode when all laser lines are switched off, but the indicators are still on, the laser will automatically turn off after about 3 minutes of inactivity

#### ■ CHOOSE HORIZONTAL AND VERTICAL LINES

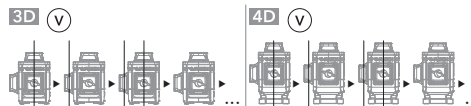
At times, you may not require all laser lines, making it useful to activate only the ones needed. Therefore, you have the option to deactivate or activate specific laser lines as desired.



- Press the Horizontal lines button [B] to activate the horizontal lines you like to use.

#### NOTE

We advise to set the horizontal line on your working height.



- Press the Vertical lines button [B] to activate the vertical lines you like to use.

## ATTENTION

If the workplace is very brightly lit, e.g. out of doors, it may be necessary to use the laser receiver.

### ■ RECEIVER MODE / BRIGHT MODE

When switch on the laser, both in self levelling as in manual slope mode, the receiver mode (pulse) is activated. The receiver indicator [D] will light up. At this moment, laserlines can be picked up by a laser receiver.



Press the Bright/Receiver mode button [A] to turn on the bright mode.

When this mode is active, the laser lines will shine brighter and become more visible to the eye. A receiver can no longer be used, the receiver indicator [D] will no longer illuminate.

- Press the Bright/Receiver button [A] again to turn on the receiver mode (pulse) again.

## NOTE

All Futech laser will use 10Khz as frequency in receiver mode. Only receivers that can detect laser lines at 10KHz are compatible.



## DECLARATION OF CONFORMITY

Futech (Belgium) declares under its own responsibility that this device:

- 035.3DR, MULTICROSS 3D COMPACT RED
- 035.3DG, MULTICROSS 3D COMPACT GREEN
- 035.4DG, MULTICROSS 4D COMPACT GREEN

is in conformity with the standards

### EMC DIRECTIVE 2014/30/EU:

- EN IEC 61326-1: 2021
- EN IEC 61000-3-2: 2019 + A1:2021
- EN 61000-3-3:2013 + A1:2019 + A2:2021

### DIRECTIVE 2011/65/EU (ROHS)

- IEC 62321-3-1:2013
- IEC 62321-5:2013
- IEC 62321-4:2013+AMD1:2017
- IEC 62321-7-1:2015
- IEC 62321-7-2:2017

### ANSI C63.4-2014

- FCC 47 CFR PART 15 SUBPART B:2022

### E.C.R. 2016 - UK SI 2016 No. 1091

- BS EN IEC 61326-1:2021
- BS EN IEC 61000-3-2:2019 + A1:2021
- BS EN 61000-3-3:2013 + A1:2019 + A2:2021




Lier, Belgium,  
January 29, 2024  
Patrick Waüters

A handwritten signature in black ink, appearing to read 'Patrick Waüters'.

Potential misprints are reserved. Images used are not strict. All features, functionality and other product specifications are subject to change without notice or obligation.



## TECHNICAL SPECIFICATIONS

	035.3DR MC3D COMPACT RED	035.3DG MC3D COMPACT GREEN	035.4DG MC4D COMPACT GREEN
Visibility			
Accuracy	± 3mm / 10m	± 3mm / 10m	± 3mm / 10m
Range with receiver	up to 2x 120m	up to 2x 150m	up to 2x 150m
Levelling range	± 4°	± 4°	± 4°
Levelling	Pendulum levelling	Pendulum levelling	Pendulum levelling
Slope function	Manual (via pendulum lock)	Manual (via pendulum lock)	Manual (via pendulum lock)
Tripod thread	1/4"	1/4"	1/4"
Laser wave length	635nm, <1mW	520nm, <1mW	520nm, <1mW
Laser classification	Class 2	Class 2	Class 2
Working time	25h → 8h (ONE → ALL laser lines on)	25h → 8h (ONE → ALL laser lines on)	25h → 8h (ONE → ALL laser lines on)
Power supply	7.4V 2600mAh Li-ion battery	7.4V 2600mAh Li-ion battery	7.4V 2600mAh Li-ion battery
Charger	Input: 5V=2A Output: 500mA	Input: 5V=2A Output: 500mA	Input: 5V=2A Output: 500mA
Charging port	USB Type-C	USB Type-C	USB Type-C
Charging time	About 6h	About 6h	About 6h
Protection	IP54	IP54	IP54
Dimensions (l x w x h)	135 x 86 x 110 mm	135 x 86 x 110 mm	135 x 86 x 132 mm
Weight	0,541 kg	0,541 kg	0,601 kg
Operating max. humidity	90%	90%	90%
Operation temperature	-10°C ~ +50°C	-10°C ~ +50°C	-10°C ~ +50°C
Storage temperature	-20°C ~ +70°C	-20°C ~ +70°C	-20°C ~ +70°C



# USER MANUAL

other languages:



DA DANSK



DE DEUTSCH



ES ESPAÑOL



ET EESTI KEEL



FI SUOMEN KIELI



FR FRANÇAIS



IS ÍSLENSKA



IT ITALIANO



NL NEDERLANDS



NO NORSK



PT PORTUGUÊS



SL SLOVENŠČINA



SV SVENSKA



-  Facebook @futechtools
-  LinkedIn futechtools
-  World Wide Web futech-tools.com
-  YouTube @futechtools