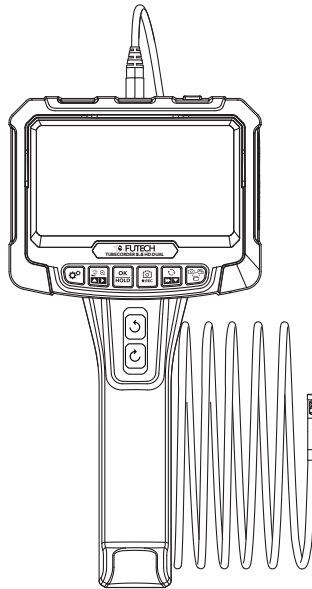


# USER MANUAL

651.58F TUBECORDER 5.8 HD FLEX



EN ENGLISH

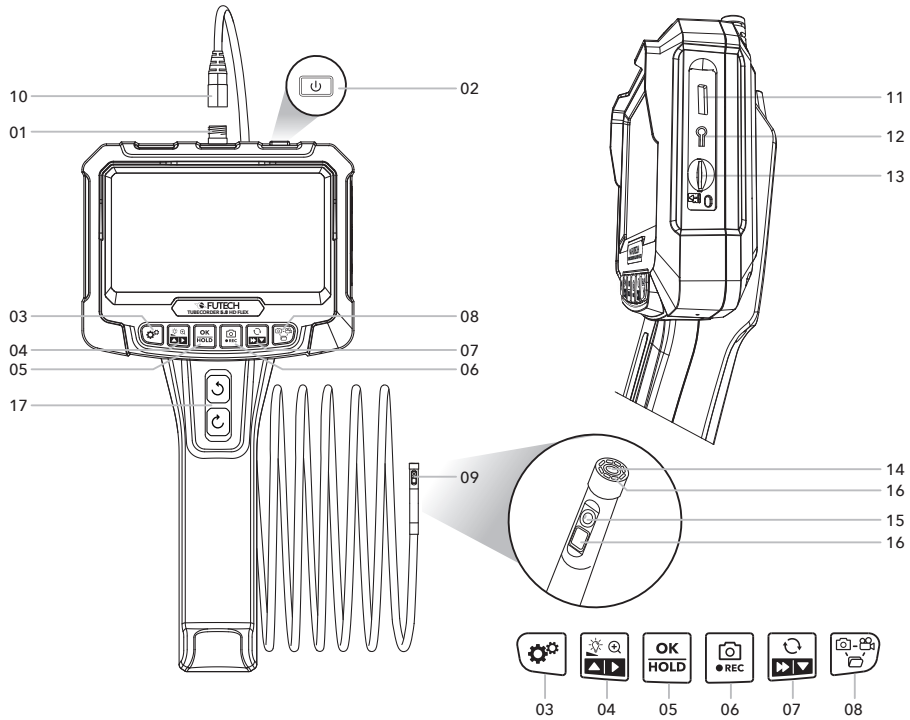
Manual  
in your language?

Check the back cover



**FUTECH**  
futech-tools.com

# OVERVIEW



## ■ HOUSING

---

- 01 Probe socket
- 02 Power button
- 03 Settings button
- 04 Brightness / Zoom / UP / Playback -button
- 05 OK / Hold-button
- 06 Register/Record-button / Change camera
- 07 Rotation / Fast Forward / DOWN - button
- 08 Mode switch button (Photo/Video/Album)
- 09 Probehead
- 10 Probe connector
- 11 USB-C socket
- 12 Reset button
- 13 Micro SD-slot
- 14 Front camera
- 15 Side camera
- 16 LED lights
- 17 Camera rotation button

## SAFETY

---

Do not hit the camera violently and do not pull the cable.

When used in an environment with sharp bumps, please use it carefully to prevent the water-proof protective layer of the probe from being scratched.

The camera probe is not made of heat-resistant and high-temperature materials. When checking the engine of, for example, a car, please ensure the temperature in the engine drops to the normal temperature.

When not in use, please ensure the lens and the main unit are clean and dry and avoid contact with oil,... or other corrosive and dangerous substances.

This product is not suitable for people with limited physical, sensory or mental abilities. Do not allow children to touch and operate this equipment.

### IMPORTANT

**This device is an industrial endoscopy camera and is not intended for medical or human examination.**

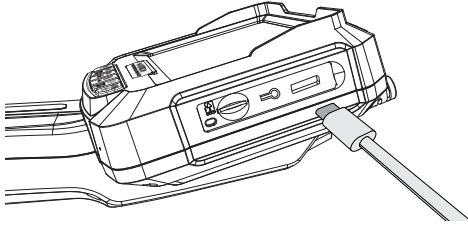
## BATTERY AND CHARGER

---

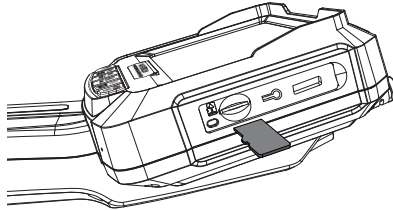
This device works with a 5V 2000mAh LI-ION rechargeable battery. To charge this battery, you can use a 5V DC 1A /5V DC 2A (household) charger with USB-C connector.

Charging time: Approx. 2.5 hours.

- Insert the USB-C connector to the USB-C socket [10] of the device.



- If you like to save pictures/videos, insert an Micro SD card in the Micro SD-slot [13] when the device is shut down.



This device does not support fast charging.

#### **NOTE**

If the device is not used for a long time, please ensure that it is charged at least once every 3 months to prevent irreparable damage caused by excessive discharge of the battery.

*The battery is installed by the manufacturer. In case it needs to be replaced, contact an authorised technician.*

#### **PREPARE THE DEVICE**

---

- Remove all protection foils.
- Make sure the battery is fully charged.

Please pay attention to whether the insert direction and front and back side of the Micro SD card are correct. Do not excessive force when inserting or pulling out the Micro SD card to prevent damage to the card slot structure.

- Connect the probe connector [10] to the probe socket [01].

#### **USE**

---

Hold the power button [02] to turn on/off the device.

#### **■ STORE A PICTURE**

---

- Press the mode switch button [08] the number of times until the photo mode is active.



- Move the camera to the place you want to frame.
- Press the Register/Record button [06] to register the image on screen.

### ■ RECORD A VIDEO

- Press the mode switch button [08] the number of times until the video mode is active.
- Move the camera to the place you want to frame.
- Press the Register/Record button [06] to start recording a video.
- Press the Register/Record button [06] again to stop recording.

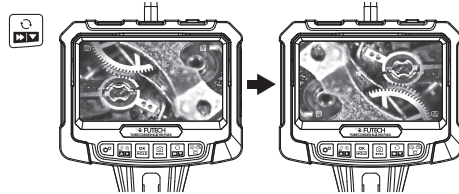
### ■ ADJUSTING THE BRIGHTNESS OF THE LEDS

- When photo or videomodus is active, press the brightness button [04] to reduce the intensity of the LED lights [16].

### ■ TURN THE IMAGE

When using the probe in photo or videomodus, the device has the possibility to turn the image on screen 180°.

- Press the rotation button [07] to turn the image on screen.



### ■ CHANGING CAMERA

The Tubecorder 5.8 HD Flex comes with a 5-meter-long probe with two cameras. One camera is located at the front of the probe (front camera [14]). This allows you to view images taken from the front of the probe. The second camera is located on the side of the probe head (side camera [15]). This provides you with the capability to conduct lateral inspections as well.

- Hold the Register/Record button [06] for approx. 3 seconds to switch from Front camera [14] to Side camera [15] and back.

### ■ VIEW PICTURES/VIDEO'S

- Press the mode switch button [08] that number of times until album is active.
- Use the UP-button [04] or DOWN-button [07] to navigate in the registered photos and recorded videos.

- In case of a video, you can start the playback by holding the Playback-button [04].
- Use the Fast Forward button [07] to speed up the playback speed.

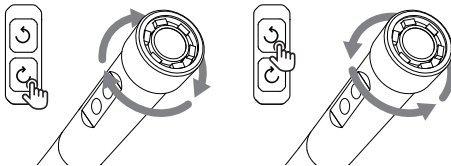
### ■ CAMERA ROTATION

- Press the camera rotation button [17] for a short rotation.

Choose the upper button for anti-clockwise rotation and the lower button for clockwise rotation.

- Hold the camera rotation button [17] for a 350 degrees rotation

The side camera can detect every corner and the front camera can adjust the imaging angle to have the best viewing.



### ■ LANGUAGE SETTINGS

The default language of this device is English. Follow the following steps to change the language to one of the available languages.

- Press the settings button [03] to enter the settings page
- Go to the language setting by using the UP-[04] or DOWN-button [07] and enter the setting by pressing the OK button [05].
- Select the desired language by pressing the UP- [04] or DOWN-button [07] button and confirm with the OK button [05].

### FAQ

The device does not show a picture or the screen turns black

- Remove the flexible probe, reassemble and tighten it, or restart the device.

Lags happened during the photo outputting of the product

- Please check whether the product has sufficient power
- Restart the device, or reconnect the probe to the device.

The device crashes

- Please press the reset button [12] on the right side of the device to restart the device.

The image on the screen is not clear

- The focal length of the product is: 2cm-10cm, please bring the object within this focal length.



- Clean the front of the camera with a clean alcohol cloth.

The camera feels hot

- It is normal for the camera to heat up, especially when the camera LED light is on at the highest brightness. But it does not affect normal use or service life.

Micro SD card can not be recognized

- Unplug and plug the Micro SD card again.
- Make sure you use a Micro SD card with the FAT32 format. If the format is not FAT32, format the Micro SD card to the FAT32 format.

Potential misprints are reserved. Images used are not strict. All features, functionality and other product specifications are subject to change without notice or obligation.

## SPECIFICATIONS

Camera diameter	Dual lens, 8mm
Camera resolution	2 Megapixel
Viewing angle	78°
Focal range	20-100 mm (front camera) 20-50 mm (side camera)
Screen	5.0 inch color display
Screen resolution	1280 x 720
Supports camera probe resolution	2 MP
Photo resolution	1920 x 1080
Video resolution	1280 x 720
Connector	USB-C socket
Operating temperature	0°C ~ 45°C (32°F ~ 113°F)
Battery	2000 mAh
Battery life	Approx. 3 hours
Battery charging time	Approx. 2.5 hours (Does not support fast charging)



### DECLARATION OF CONFORMITY

Futech (Belgium) declares under its own responsibility that this device: 650.522 Tubecorder 5.8 HD FLEX is in conformity with the standards EN IEC 61326-1:202, EN IEC 61326-2-2:202, EN IEC 61000-3-2:2019+A1:2021, EN 61000-3-3:2013+A1:2019+A2:2021 following the provisions of Directive(s): Electromagnetic compatibility (EMC) Directive 2014/30/EU.

Lier, Belgium,  
October 18, 2023  
Patrick Waüters

# USER MANUAL

other languages:



**DA** DANSK



**DE** DEUTSCH



**ES** ESPAÑOL



**ET** EESTI KEEL



**FI** SUOMEN KIELI



**FR** FRANÇAIS



**IS** ÍSLENSKA



**IT** ITALIANO



**NL** NEDERLANDS



**NO** NORSK



**PT** PORTUGUÊS



**SL** SLOVENŠČINA



**SV** SVENSKA



Facebook  
@futechtools



LinkedIn  
futechtools



World Wide Web  
futech-tools.com



YouTube  
@futechtools