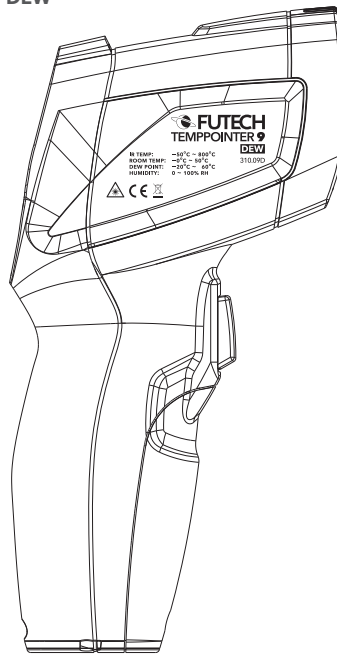


USER MANUAL

310.09D TEMPPONTER 9 DEW



EN ENGLISH

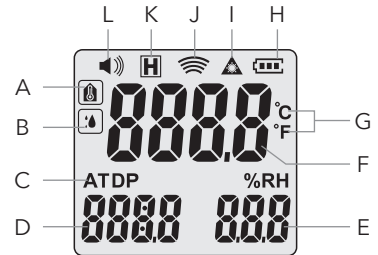
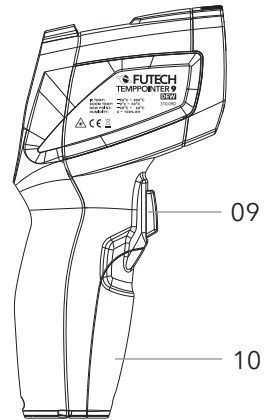
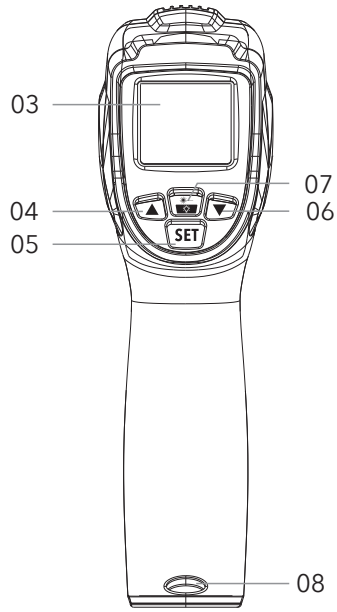
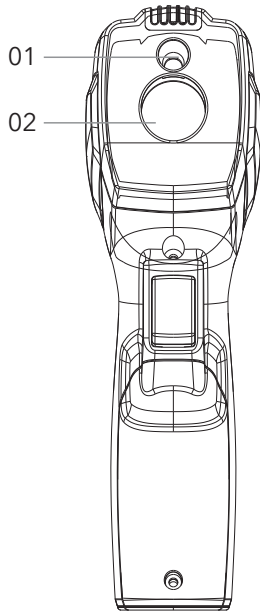
Manual
in your language?

Check the back cover



FUTECH
futech-tools.com

OVERVIEW



■ CASE

- 01 Laser light
- 02 Infrared sensor
- 03 LCD Display
- 04 Up button
- 05 Set button
- 06 Down button
- 07 Laser button / backlight button
- 08 Lanyard hole
- 09 Trigger
- 10 Battery cover

■ SCREEN

- A Air temperature (AT)
- B Dew Point (DP)
- C AT and DP characters
- D AT and DP value
- E Humidity or Emissivity value
- F Current temperature value
- G °C / °F symbol
- H Battery power symbol
- I Laser "ON" symbol
- J Measurement indicator
- K Data hold
- L Buzzer symbol

SAFETY

Please read the complete safety instructions in the booklet delivered with this device.

While the product is in operation, be careful not to expose your eyes to the emitting laser beam.

Class 2 laser radiation, do not stare into the beam!

FIRST USE

- Remove all protective foils.

BATTERY

If battery symbol [H] is empty please replace your battery.

Carefully open the battery cover [10] and insert a new 9-Volt battery.

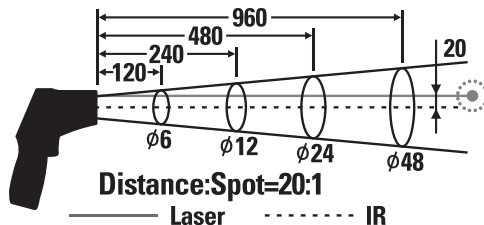
DISTANCE AND SPOT SIZE

As the distance (D) from the object increases, the spot size (S) of the area measured by the Temp-pointer becomes larger.

FIELD OF VIEW

The device's field of view is 20:1 (Ex. If the thermometer is 20mm from the surface (spot), the diameter of the target must be greater than 1mm)

When accuracy is critical, make shure the target is at least twice as large as the spot size.



USE

- To activate the device pull the trigger [09].
- The infrared thermometer will automatically power off approximately 10 seconds after the trigger [09] is released.



MEASUREMENT OPERATION

REGULAR MEASUREMENT

This mode is used to measure the Air Temperature [A].

The AT [A] is set by default when you activate the device.

- Aim the infrared thermometer to the surface of the object.
- Pull the trigger [09] to continuously read the temperature measurements.
- Release the trigger [09] when the desired measurement is obtained
- The AT [A] will stay displayed on the LCD display [03].

DEW POINT MEASUREMENT

The dew point [B] is the temperature where water droplets start forming into mist, dew or water-droplets.

SET DEW POINT

- Press the SET button [05] one time, the AT / DP characters [C] will start blinking.
- Press the up [04] / down button [06] to switch between AT [A] or DP [B].

TEMPERATURE UNIT

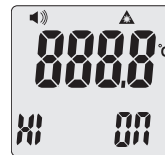
This device can switch between °C and °F.

- Press the SET button [05] twice. The °C / °F symbol [G] will start blinking.
- Press the up [04] / down button [06] to switch between °C / °F.

HIGH ALARM

- Press the set button [05] three times to set a high temperature alarm.
- Press the laser button / backlight button [07] to turn on / off the high alarm.
- To set the maximum temperature value use the up [04] / down button [06].

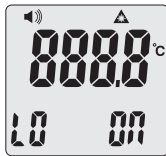
When the high alarm is reached during measurement the device will sound an alarm, "HI" and the buzzer symbol [L] will appear on the screen.



■ LOW ALARM

- Press the set button [05] four times to set a low temperature alarm.
- Press the laser button / backlight button [07] to turn on / off the low alarm.
- To set the maximum temperature value use the up [04] / down button [06].

When the low alarm is reached during measurement the device will sound an alarm, "LO" and the buzzer symbol [L] will appear on the screen.



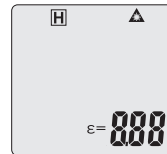
■ EMISSIVITY SETTINGS

Emissivity is a measure of the material's ability to radiate heat.

The majority of organic materials and painted or oxidized surfaces have an emissivity between 0.85 and 0.98.

While measuring, set the emissivity on the infrared thermometer to match the object being measured.

- Press the set button [05] five times to set the emissivity.
- Press the up [04] / down button [06] to set the emissivity value.



EMISSIVITY TABLE

ADHESIVE TAPE	0.96
ALUMINIUM PLATE	0.09
ALUMINIUM, A3003 ALLOY (OXIDIZED)	0.3
ALUMINUM, A3003 ALLOY (ROUGHENED)	0.1 - 0.3
ALUMINIUM, BLACK	0.95
ALUMINUM, OXIDIZED	0.2 - 0.4
ASBESTOS	0.95
ASPHALT	0.90 - 0.98
ASPHALT, PAVEMENT	0.93
ASPHALT, TAR PAPER	0.93
BASALT	0.7
BRASS, OXIDIZED	0.5
BRASS, POLISHED	0.3
BRICK	0.93 - 0.96
BRICK	0.75
CERAMICS	0.95
CARBON	0.8 - 0.9
CAST IRON	0.81
CEMENT	0.96
CERAMIC	0.90 - 0.94
CHARCOAL (POWDER)	0.96
CHROMIUM OXIDES	0.81
CLAY	0.95
CLOTH	0.95
CLOTH (BLACK)	0.98
CONCRETE	0.94 - 0.97
COPPER OXIDES	0.78

COPPER PLATE	0.06
COPPER, ELECTRICAL TERMINAL BLOCKS	0.6
COPPER, OXIDIZED	0.4 - 0.8
FERRO-NICKEL, ABRASIVE BLASTING	0.3 - 0.6
FERRO-NICKEL, ELECTRO POLISHING	0.15
FERRO-NICKEL, OXIDIZED	0.7 - 0.95
GLASS	0.85 - 0.95
GLASS, FIBER GLASS	0.75
GRAPHITE, UNOXIDIZED	0.7 - 0.8
GRAVEL	0.95
GYPSUM	0.75
HASTELLOY	0.3 - 0.8
SKIN, HUMAN	0.98
ICE	0.95 - 0.99
IRON OXIDES	0.78 - 0.82
IRON, CAST MOLTEN	0.2 - 0.3
IRON, CAST OXIDIZED	0.6 - 0.95
IRON, CAST PASSIVATED	0.9
IRON, CAST UNOXIDIZED	0.2
IRON, OXIDIZED	0.5 - 0.9
IRON, RUST	0.5 - 0.7
LACQUER	0.80 - 0.95
LACQUER (MATT)	0.97
LEAD, OXIDIZED	0.2 - 0.6
LEAD, ROUGHENED	0.4
LEATHER	0.75 - 0.80
LIMESTONE	0.98
MARBLE	0.94

MOLYBDENUM, OXIDIZED	0.2 - 0.6
MORTAR	0.89 - 0.91
NICKEL, OXIDIZED	0.2 - 0.5
PAINT	0.9
PAPER	0.70 - 0.99
PAPER, WHITE	0.68
PAPER, BLACK	0.90
PLASTER	0.8 - 0.95
PLASTICS	0.85 - 0.95
PLATINUM, BLACK	0.9
POLYCARBONATE	0.8
PVC PLASTIC	0.93
RUBBER	0.85 - 0.97
RUST	0.8
SAND	0.9
SILICON CARBIDE	0.9
SNOW	0.83
SOIL/EARTH	0.90 - 0.98
STAINLESS STEEL	0.14
STEEL, COLD-ROLLED	0.7 - 0.9
STEEL, GROUND SHEET	0.4 - 0.6
STEEL, POLISHED SHEET	0.1
TEXTILES	0.70 - 0.95
TIMBER	0.9 - 0.95
WATER, SEAWATER	0.90 - 0.98
WATER	0.67
WOOD	0.85
ZINC, OXIDIZED	0.1
ZINC, GALVANIZED	0.2 - 0.3

TECHNICAL SPECIFICATIONS

MODEL	310.09D TEMPPOINTER 9 DEW
LCD screen	Color LCD display
D:S	20:1
Emissivity	0.10 ~1.00
Response spectrum	8 -14 µm
Laser type	Class 2 / <1mW 630 - 670 nm
Response time	<0,1 seconds
Automatic power Off	10 seconds
Temparture range	-50° ~ 800°C (-58°F ~ 1472°F)
Display resolution	0.1°C < 1000; 1°C > 1000
Accuracy	-50°C ~20°C (-58°F ~68°F): ± 3°C 20°C ~450°C (68°F ~842°F): ± 1°C 2% of reading 450°C ~ 800°C (842°F ~1472°F)
Operation temperature	0 ~50°C (32 ~122°F)
Humidity	0 ~100% RH
Humidity accuracy	±2,5% RH
Air temperature	-30°C ~100°C (-22°F ~212°F)
Dew point temperature	-20°C ~ 60°C (-4°F ~140°F)
Power supply	9V battery





DECLARATION OF CONFORMITY

Futech (Belgium) declares under its own responsibility that this device:

- 310.09D Temppointer 9 DEW

is in conformity with the standards

- EN 61326-1:2013

- EN 61326-2:2013

Under Electromagnetic Compatibility (EMC) Directive
2014/30/EU

Lier, Belgium,
December 18, 2023
Patrick Waüters

Potential misprints are reserved. Images used are not strict. All features, functionality and other product specifications are subject to change without notice or obligation

NOTES



NOTES



USER MANUAL

other languages:



DA DANSK



DE DEUTSCH



ES ESPAÑOL



ET EESTI KEEL



FI SUOMEN KIELI



FR FRANÇAIS



IS ÍSLENSKA



IT ITALIANO



NL NEDERLANDS



NO NORSK



PT PORTUGUÊS



SL SLOVENŠČINA



SV SVENSKA

