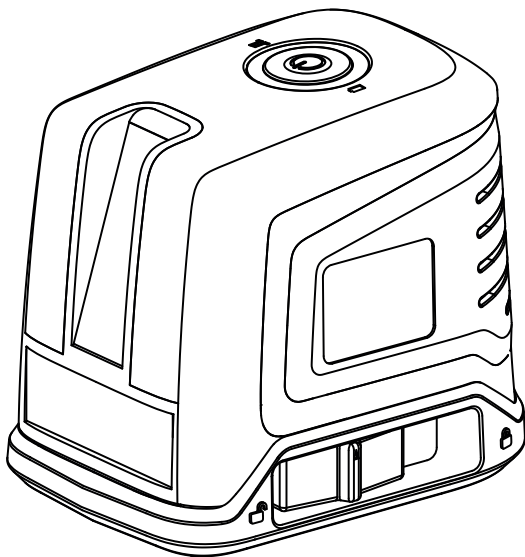


USER MANUAL

009.20G JUPITER 2.0 GREEN



EN ENGLISH

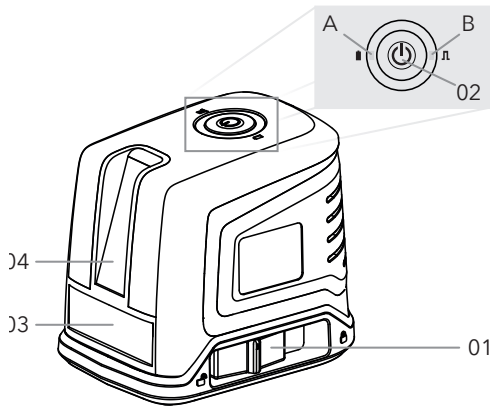
Manual
in your language?

Check the back cover



FUTECH
futech-tools.com

OVERVIEW

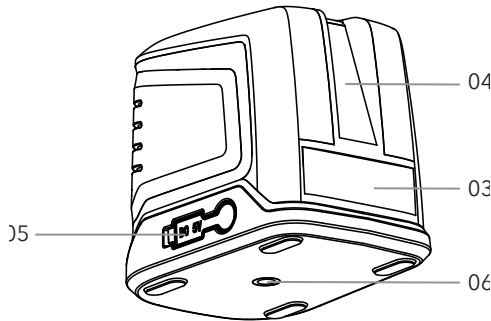


■ KEYPAD

- A Battery power indication
- B Receiver mode indication

■ CASE

- 01 ON/OFF - Pendulum lock switch
- 02 Power button - Receiver mode button
- 03 Horizontal laser exit
- 04 Vertical laser exit
- 05 Type-C Charging port
- 06 1/4" Tripod connection



QUICK START GUIDE

KEYPAD	NAME	FUNCTION	
02	Receiver mode button	Hold (Unlocked)	(De-)activate receiver mode (pulse)
02	Horizontal laser line/ Power-button	Press	(De-)activate horizontal laser lines
		Hold (Locked)	Turn on/off device
02	Vertical laser line	Press	(De-)activate vertical laser lines
B	Receiver mode LED	Off (Unlocked)	Receiver mode is off, detection with receiver is not possible
		Green (Unlocked)	Receiver mode is on, laser line pulses and detection with receiver is possible
A	Power LED	Flashin	Battery low (around 30mins remaining)
		Red	Device is switched on

SAFETY

Please read the complete safety instructions in the booklet delivered with this device.

Use extreme caution when the laser beam is turned on.

Do not aim the laser beam at any gas that may explode.

LASER RADIATION - Class 2 Laser product. - Do not stare into beam.

BATTERY

Build-in 3.7V Li-ion battery (2600 mAh)

When the [A] Power LED starts flashing, the battery is running low.



FIRST TIME USAGE

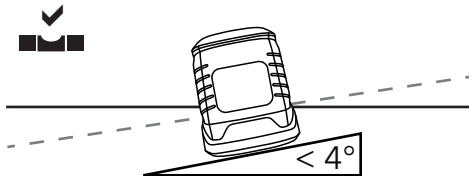
Remove all protection foils.

USE

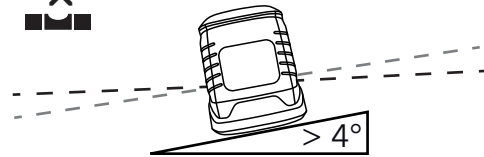
■ AUTO-LEVELLING



Slide the ON/OFF / Pendulum Lock switch [01] to the ON side. The power LED indicator [A] will light up. The pendulum levelling mechanism is released, and the instrument will align on its own.



The Horizontal laser line will light up. Make sure that the instrument is placed on a flat surface with a maximum slope of 4° .



If the slope exceeds 4° , the laser lines will start blinking.

■ SLOPE MODE

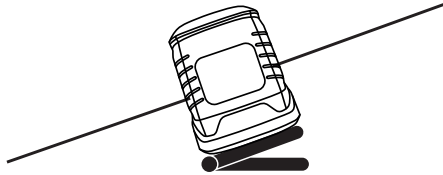


To work in manual slope mode, the pendulum needs to be locked. Make sure the ON/OFF / Pendulum Lock switch [01] is in the OFF position.

Switch on the device by holding the Horizontal laser line / Power button [02] for approx. 3 sec. until the laser switches ON.



__ MANUAL SLOPE



- Now you can manually tilt the laser using a tripod with a tilting head to get the exact desired slope.

NOTE

In slope mode, the laser lines no longer levelled automatically. A slow flashing warning indicator [F] will remind you the pendulum is blocked and the laser is not able to level.

We advise to use a slope adapter (optional) or tripod with tilting head (optional) to set slopes.

■ SWITCHING ON/OFF LASER LINES

When switching on the device, the horizontal laser diode will be activated.

__ HORIZONTAL AND VERTICAL LASER LINES

When the laser is turned on, only the horizontal laser line will be active.



- Press the Power button [02] once to activate the vertical laser line. The horizontal laser line will be deactivated.
- Press the Power button [02] again to reactivate the horizontal laser line. Both horizontal and vertical laser lines are now active.
- Press the Power button [02] a third time to deactivate both laser lines.
- Press the Power button [02] a fourth time to reactivate the horizontal laser line.
- ... (these four previous steps will repeat).

NOTE

We advise to set the horizontal line on your working height, using a tripod.

■ RECEIVER MODE

When working in a bright environment (e.g. outdoors) or over longer distances, laser lines become less visible to the human eye. To find the laser lines in those situations, this laser can be used with a laser receiver.




- To activate the Receiver mode, press the receiver mode button [02]. The receiver mode LED indicator [B] will light up and you will notice the activated laser lines decrease slightly in brightness. In receiver mode, the laser line will start blinking very fast (pulse at 10KHz) to allow the laser receiver, which operates by pulsed light, to detect the laser line.
- To deactivate the receiver mode, press the Receiver mode button [02] again. The receiver mode LED indicator [B] turns off and the brightness of the active laser lines will increase again.

NOTE

All Futech lasers will use 10KHz as frequency in receiver mode. Only receivers that can detect laser lines at 10KHz are compatible.



TECHNICAL SPECIFICATIONS

MODEL	009.20G JUPITER 2.0 GREEN
Visibility	
Accuracy	± 3 mm / 10 m
Range with receiver	40m
Levelling range	± 4°
Levelling	Pendulum levelling
Slope function	Manual (via pendulum lock)
Tripod thread	1/4"
Pendulum lock	✓
Transport safety mode	✓
Amount of laser diodes	2
Laser frequency (receiver mode)	10kHz
Laser wavelenght	520nm
Laser classification	Class 2 < 1mW
Power supply	Li-Ion battery 3.7V, 2600mAh
Battery life (all lines on)	± 25 - 30h.
Protection	IP54
Dimensions (l x w x h)	93 x 68 x 82 mm
Weight	0,28 kg
Operation temperature	-10°C ~ +40°C



DECLARATION OF CONFORMITY

Futech (Belgium) declares under its own responsibility that this device:

- 009.20G JUPITER 2.0 GREEN

is in conformity with the standards

EN 61326-1:2013
IEC 62321-3-1:2013, IEC 62322-5:2013,
IEC 62321-4:2013 +AMD1:2017, IEC 62321-7-1:2015,
IEC 62321-7-2:2017, IEC 62321-6:2015,
IEC 62321-8:2017

following the provisions of Directive(s)

EMC 2014/30/EU,
2011/65/EU (RoHS) &
2015/863

Lier, Belgium,
November 30, 2023
Patrick Waüters



Potential misprints are reserved. Images used are not strict. All features, functionality and other product specifications are subject to change without notice or obligation.

USER MANUAL

other languages:



DA DANSK



DE DEUTSCH



ES ESPAÑOL



ET EESTI KEEL



FI SUOMEN KIELI



FR FRANÇAIS



IS ÍSLENSKA



IT ITALIANO



NL NEDERLANDS



NO NORSK



PT PORTUGUÊS



SL SLOVENŠČINA



SV SVENSKA



-  Facebook
@futechtools
-  LinkedIn
futechtools
-  World Wide Web
futech-tools.com
-  YouTube
@futechtools